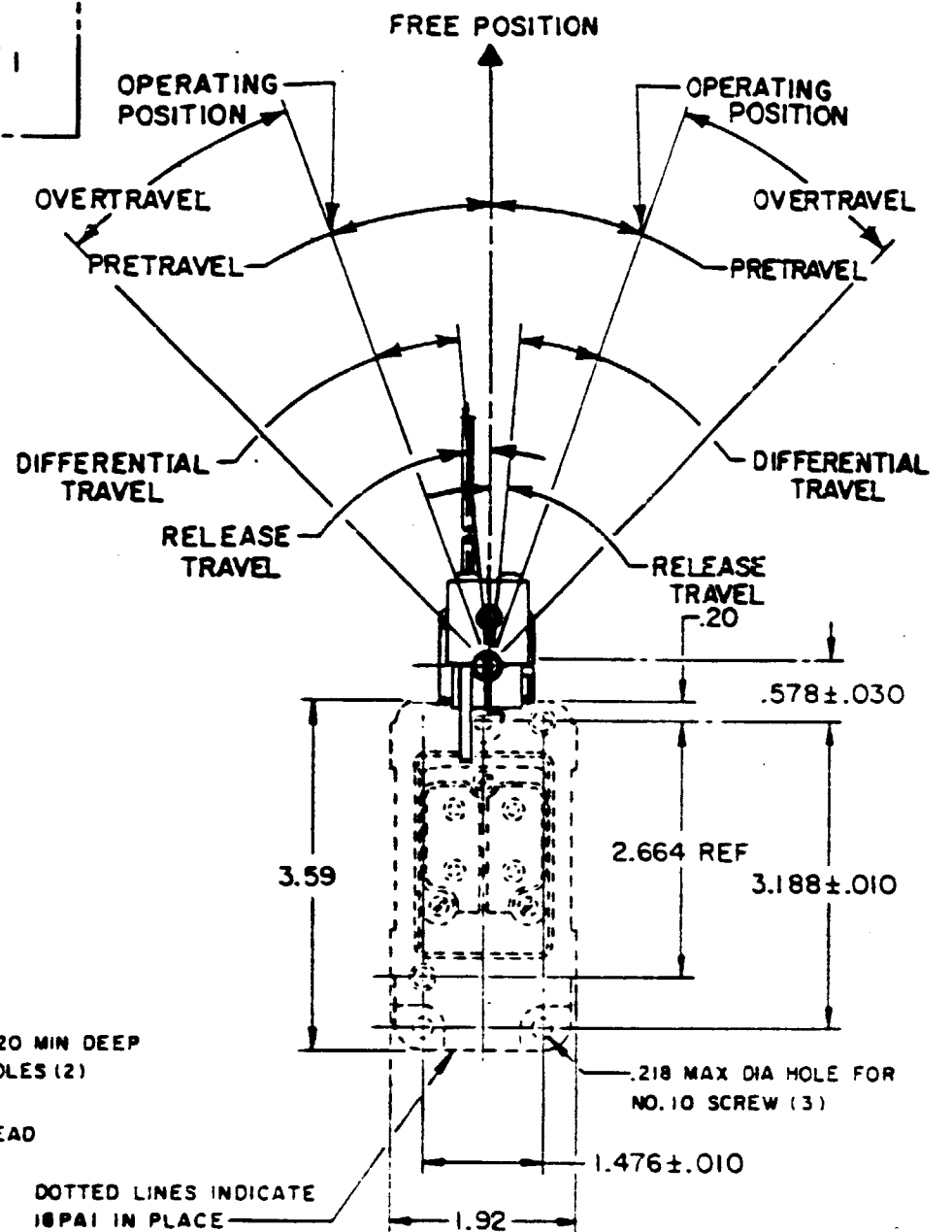
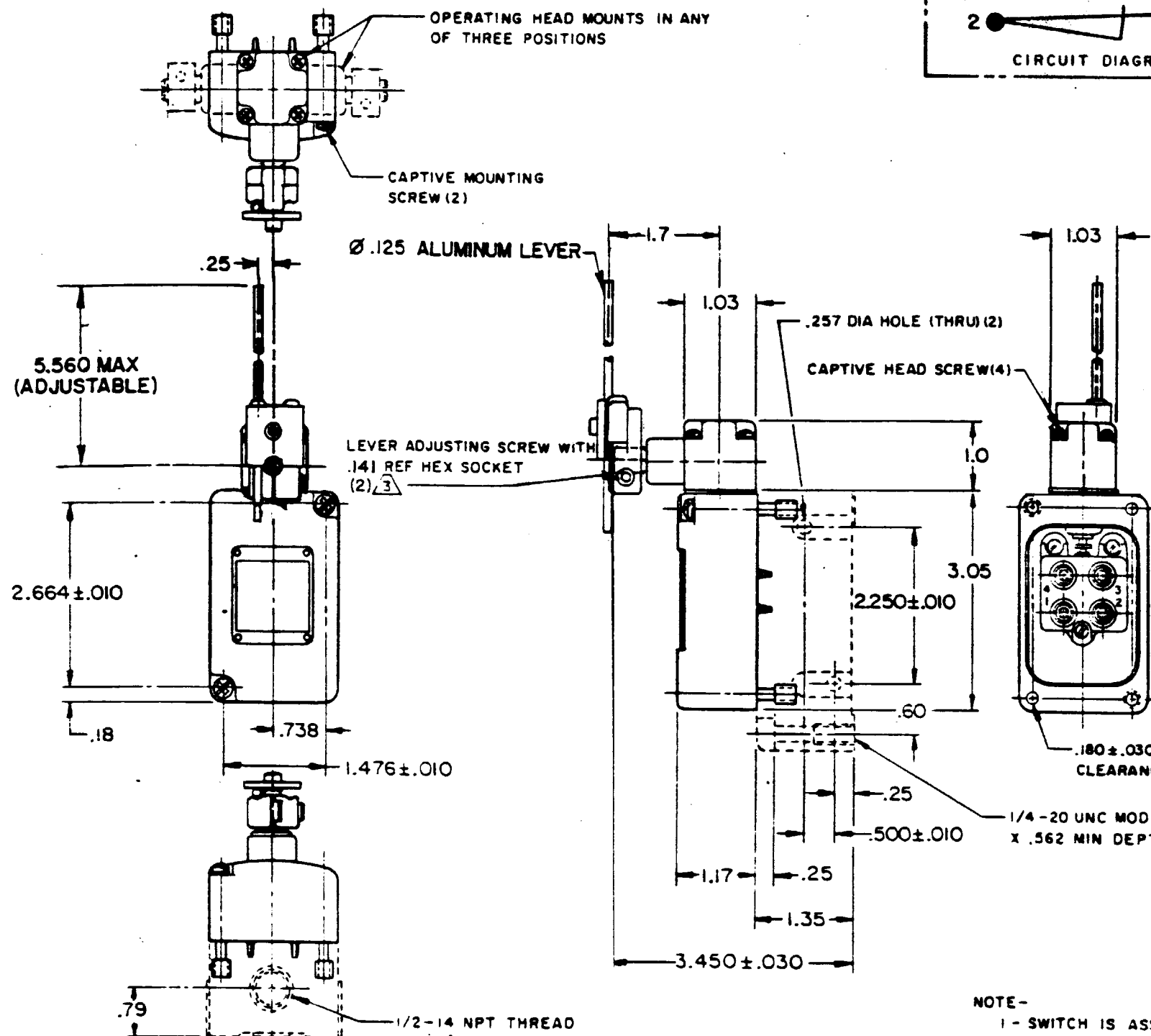


201LS47  
 DRAWING NUMBER  
 M  
 ISSUE  
 13  
 REVISIONS  
 A COI8785 LLD 26 JUN 64  
 B CO19613 M B F 3 NOV 64  
 C CO20324 R E R 11 OCT 65  
 D CO25152 D A W 17 APR 69  
 E CO30498 B G L J 7 SEP 73  
 F CO48804 G J W 30 DEC 80  
 G CO77031 J D B 22 DEC 93  
 CHECK  
 DAW 27 JULY 64  
 CHECK  
 DAW 26 JUN 64  
 DRAWN  
 LLD 26 JUN 64  
 PO-00378-003



- NOTE-**
- 1- SWITCH IS ASSEMBLED FOR ACTUATION IN BOTH DIRECTIONS BUT MAY BE ADJUSTED TO ACTUATE IN EITHER THE CLOCKWISE DIRECTION ONLY OR THE COUNTERCLOCKWISE DIRECTION ONLY
  - 2- TO CONVERT SWITCH FOR ACTUATION IN EITHER THE CLOCKWISE OR COUNTERCLOCKWISE DIRECTION ONLY, REMOVE ACTUATOR HEAD AND ROTATE THE NOTCHED PLUNGER 30° TO THE RIGHT FOR CLOCKWISE ACTUATION OR 90° TO THE LEFT FOR COUNTERCLOCKWISE ACTUATION
  - 3- LEVER MAY BE LOCKED IN ANY POSITION THRU 360°
  - 4- LEVER FURNISHED UNASSEMBLED IN UNIT PACKING BOX

THIS DRAWING COVERS A PROPRIETARY ITEM AND IS THE PROPERTY OF MICRO SWITCH, A DIVISION OF MINNEAPOLIS-HONEYWELL REGULATOR CO. THIS DRAWING IS NOT TO BE COPIED OR USED WITHOUT THE APPROVAL OF MICRO SWITCH.

CHARACTERISTICS	ELECTRICAL DATA	SCALE 1/2 TO 1
OPERATING TORQUE ----- 1.7 IN-LB MAX	CONTACT ARRANGEMENT (SEE CIRCUIT DIAGRAM)	DO NOT SCALE PRINT
FULL OVERTRAVEL TORQUE ----- 2.4 IN-LB MAX	18A - 120, 240 OR 480 VAC	UNLESS OTHERWISE NOTED
RELEASE TORQUE ----- .35 IN-LB MIN	1/4 HP - 120 VAC; 1/2 HP - 240 VAC	DIMENSIONS ARE IN INCHES
PRETRAVEL ----- 5° MAX	PILOT DUTY: 600 VAC MAX	<b>TOLERANCES ARE:</b>
OVERTRAVEL ----- 30° MIN		ONE PLACE (.0) ±.030
RELEASE TRAVEL ----- 0° 30' MIN		TWO PLACE (.00) ±.015
SWITCH-BASIC REPLACEMENT ----- 2MN13		THREE PLACE (.000) ±.005
		ANGLES ±
		WEIGHT